

# Anti-Vandal Pushbuttons piezo, waterproof, illuminated



## Specifications:

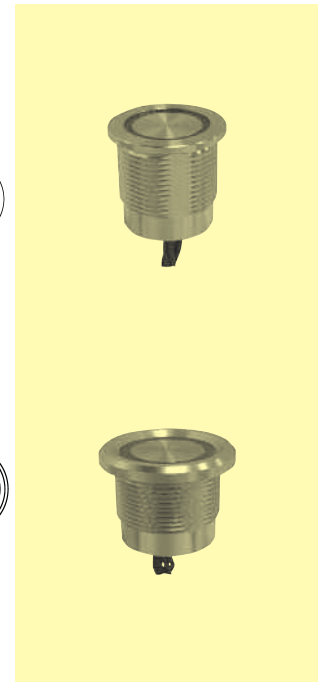
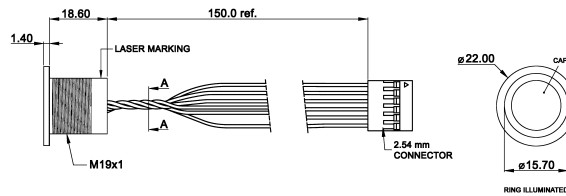
Contact rating:	5 to 24 V DC, 1 A
Contact resistance:	<1 Ω
Operating temperature:	-20 °C to +65 °C
Electrical life:	minimum 50 000 000 operations
Material:	aluminum
Terminals:	wire with female 2.54 mm pitch connector
Protection:	IP 68
Mounting:	single-hole mounting, panel thickness 10 mm max.

## Models:

Switching functions

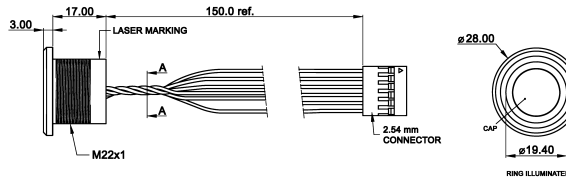
PBP 19 ANF-R-RGB-150

off – mom



PBP 22 ANM-R-RGB-150

off – mom



## Ordering code:

PBP  AN    -

### Bushing:

- 16 16 mm
- 19 19 mm
- 22 22 mm

### Bushing Material:

- AN Aluminium, natural

### Button:

- F Flat
- H High-Flat
- M Concave

### Illumination:

- without illumination
- R Ring illumination

### LED color:

- no LED
- RGB RGB

### Leads:

- 300 mm length
- 150 150 mm length

For PBP 16 there is a MOQ and is only available with high flat button and without LED